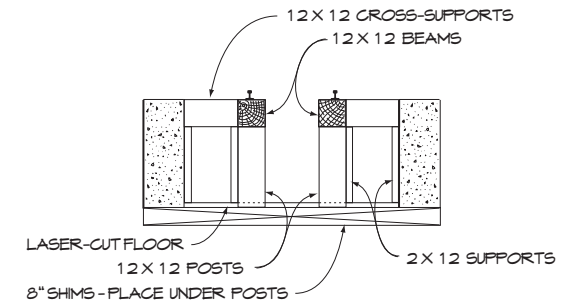
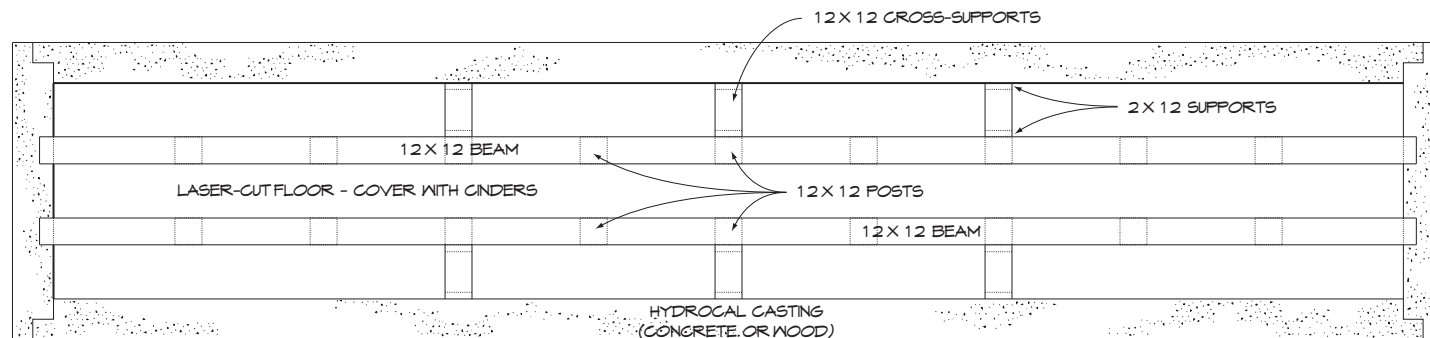
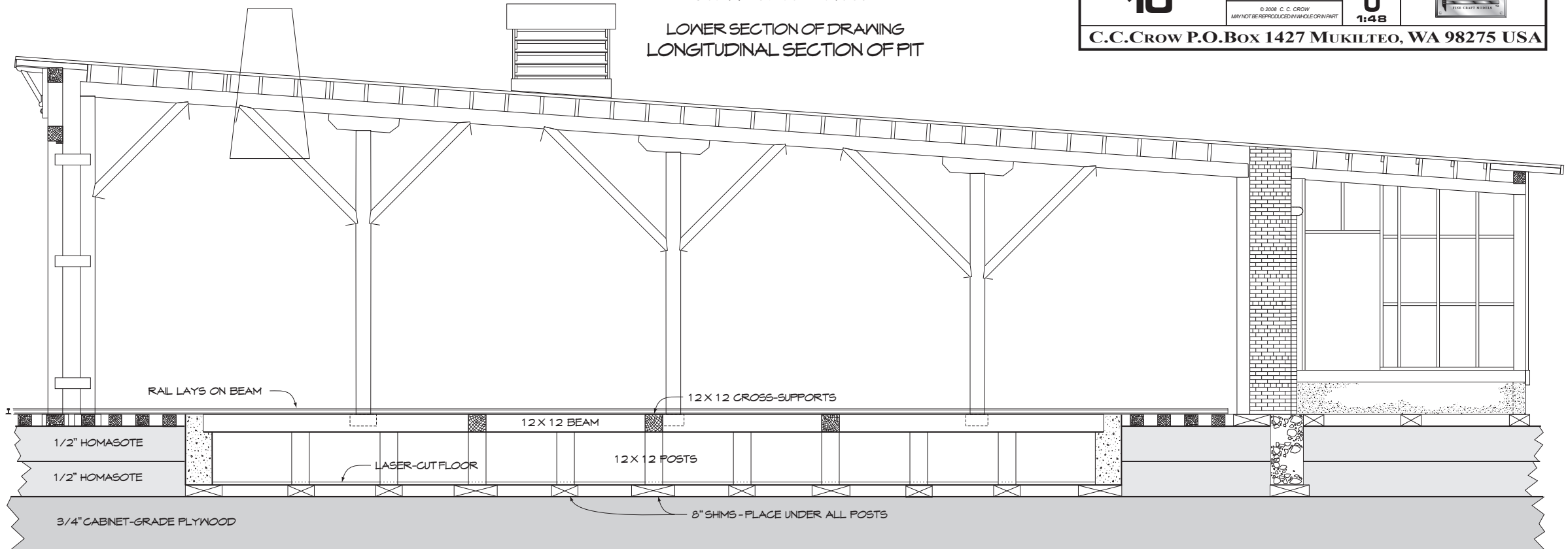


# TRUSS SECTION - STALL 4

SCALE 3/16" = 1 foot

LOWER SECTION OF DRAWING  
LONGITUDINAL SECTION OF PIT

<b>THE DURANGO ROUNDHOUSE KIT</b>			
<b>SHEET 10</b>	DESIGNED AND DRAWN BY: <b>C. C. CROW</b>	<b>SCALE 0 1:48</b>	BUILT IN COOPERATION WITH 
	© 2008 C. C. CROW MAY NOT BE REPRODUCED IN WHOLE OR IN PART		
<b>C.C.Crow P.O.Box 1427 MUKILTEO, WA 98275 USA</b>			



# LG. INSPECTION PIT PLAN - STALL 4 & 6

SCALE 3/16" = 1 foot

# INSPECTION PIT CROSS SECTION